

Framery One™



The smart and soundproof office pod
shaping the workplace of tomorrow

framery



Framery One is a smart, spacious, one-person workstation designed for video calls and focus work. Contemporary design and advanced technology characterize every detail of this comfortable and versatile workspace. This soundproof office pod features world-class sound insulation, industry-leading ventilation, and echo-free acoustics so you can focus on your work and connect online with people anywhere.

Framery One / Product highlights



Workdays that flow with ease

Framery One has been purposefully designed to make your workdays flow easier. Automatically reserve a vacant pod by stepping inside, or book it in advance or on-the-fly from the Framery app. Extend your reservation directly from the pod's touchscreen, or adjust your booking through the app.



Privacy you can trust

A-Class soundproofing assures that Framery pods can be placed next to workstations without causing noise distractions to the person in the pod or to the people outside. And echo-free interior acoustics make Framery One a private, comfortable place for work and video calls.



Airflow that keeps you fresh

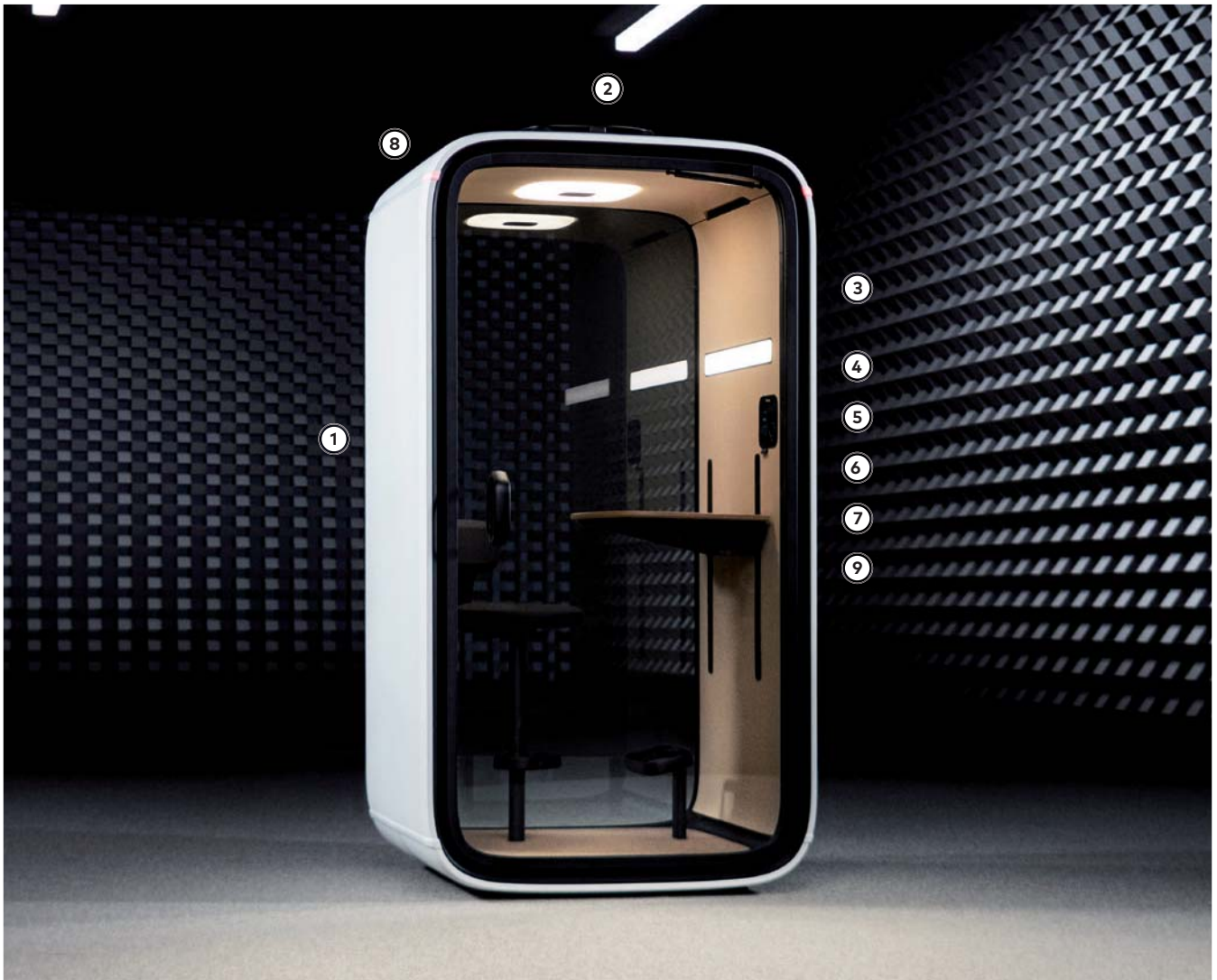
Stay fresh and focused with efficient airflow. Enhanced ventilation fully refreshes the air every minute. The ventilation can be easily adjusted to the user's preferences through the pod's touchscreen display with a single touch.



Lighting that makes you feel good

Automated dual-lighting sources adapt to your needs, with preset lighting options to choose between work or video modes. Video-optimized lighting helps you shine on video calls. Adjustments can be made quickly and easily through the touchscreen display.

Framery One / Tech features



1. A-CLASS SOUNDPROOFING

Guaranteed privacy with an industry leading Class A speech level reduction of 30dB and one of the industry's top ISO 23351-1 ratings for office phone booths.

2. ADJUSTABLE VENTILATION

Proprietary design enables unparalleled ventilation with maximum airflow of 26 l/s – surpassing industry standards around the world.

3. OPTIMIZED LIGHTING

Dual adjustable 4000K LED light sources allow you to seamlessly switch between video or work modes – or make manual adjustments for personalized illumination.

4. AUTOMATED WALK-IN RESERVATIONS

Step inside the pod to create an automatic walk-in reservation – or easily find and book Framery One through the Framery app. Adjust your booking from the mobile application, or directly from inside the pod.

5. AUTOMATIC UPGRADES

A built-in 4G connection enables automatic over-the-air software updates – initiated instantly and silently in the background.

6. INTUITIVE UI

A high-resolution touchscreen makes it easy to control pod settings, adjust lighting and airflow, and manage calendar reservations.

7. POWER YOUR DEVICES

Embedded USB-C and power outlets let you charge your phone while you work. An optional LAN port is also available.

8. OCCUPANCY INDICATION

The side-mounted occupancy lights show at a glance whether the pod is free or already in use. The pod's usage data is gathered and visualized in Framery Connect™ to help ensure you have the right number pods, and that they are placed correctly in your office.

9. FRAMERY CONNECT™

Gain insights from occupancy data, initiate advanced bookability functionalities, and connect your Framery One to the entire office to get valuable usage data needed to improve the layout and efficiency of your workplace.

Framery One / Design details

Contemporary design and advanced technology characterize every detail of this comfortable and stylish soundproof work pod with premium design. Select from a harmonious color palette and enjoy a workspace where elegant form meets limitless capacity. Framery One is built sustainably and engineered to last.



Work in maximum comfort with an adjustable electric work desk and seat, and dual-footrests that prioritize ergonomic working positions. Designed specifically to enhance video calls, the video light casts a soft, natural glow on the user's face that can be adjusted easily for perfect lighting.



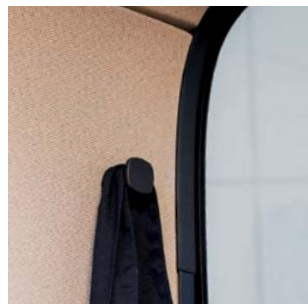
Layout of the adjustable furniture creates the optimal height and distance between the user and the camera. Spatial efficiency within the office is maximized with a minimal footprint (1.22m² / 13.1 ft²) while providing a spacious interior. Easily relocate the pod without the need for disassembly with the optional casters.



The exterior occupancy lights show at a glance whether the pod is available or already taken.



Stylish interior paneling made from sound-absorbing PET material can be easily cleaned and replaced if needed.



Convenient outlets and a coat hook are provided to accommodate all your office accessories.



Customize your pod to fit your workplace with over 3000 combinations of colors, fabrics, and high-quality materials to choose from.

Framery One / Colors and finishes



EXTERIORS

| | |
|---|--------------------------------------|
|  | White RAL 9016 Ultramatt |
|  | Black RAL 9005 Ultramatt |
|  | Gray S 7500 - N Ultramatt |
|  | Navy S 7020 - R90B Ultramatt |
|  | Sand S 2010 - Y20R Ultramatt |
|  | Powder Blue 3421-R86B Ultramatt |
|  | Winter Moss S 7010-G10Y Ultramatt |
|  | Blush 2728-R01B Ultramatt |

CARPETS

| | |
|---|---|
|  | Light Gray Ex-dono Quartet #393330 Fletco carpets |
|  | Dark Blue Zenith #T371880 Fletco carpets |
|  | Champagne Zenith #T371210 Fletco carpets |
|  | Grape Zenith #371680 Fletco carpets |





TABLE TOPS

| | |
|---|--|
|  | White White laminate |
|  | Black Black Laminate with anti-fingerprint surface |
|  | Oak Veneer |

SEATING FABRICS

| | |
|---|--------------------------------------|
|  | Graphite Select #60051 Gabriel |
|  | Dark Blue Select #66144 Gabriel |
|  | Grape Select #61190 Gabriel |
|  | Rose Select #65117 Gabriel |
|  | Powder Blue Select #67098 Gabriel |
|  | Beige Select #61184 Gabriel |
|  | Green Select #68209 Gabriel |
|  | Mustard Select #62098 Gabriel |

INTERIORS

| | |
|---|-------------------------------------|
|  | Pure Gray Tonal #60123 Gabriel |
|  | Arctic Blue Tonal #66185 Gabriel |
|  | Sand Tonal #61180 Gabriel |
|  | Rouge Tonal #64210 Gabriel |

MATERIALS AND FINISHES



EXTERIOR PANELS made from steel feature a powder-coated matt finish. The lightweight panels are joined together seamlessly, with elegant curves that create a timeless design.



INTERIOR PANELS made from high-quality and recycled polyester have a vibrant and dynamic look thanks to the mix of the two-colored fabric.



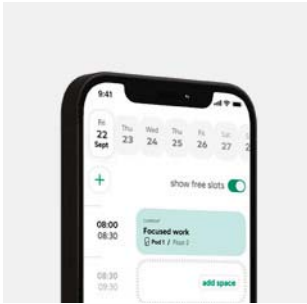
SEATING MATERIALS are a blend of superior New Zealand wool and polyamid that form a soft and rich texture. The extremely durable fabrics are both dirt and water repellent.



CARPET FLOORING is anti-static, stain resistant, and durable, giving the pod an overall soft look and finish.

Framery workplace technology / Set your office up for success

Framery's workplace technology suite streamlines workdays, elevates productivity, and enhances the entire workplace experience. Access real-time occupancy data, make data-driven decisions, book meeting spaces easily, and boost focus, privacy, and productivity throughout the office. Set up your workplace for the people who use it – making it easier than ever to get work done. And you can enjoy these benefits without any deployment costs.



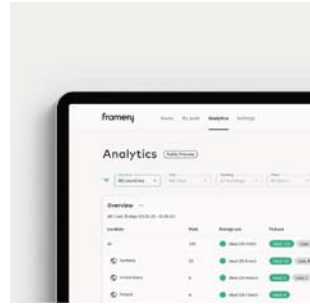
Framery App™

Manage your workday on the go with the Framery app – the easiest way to book pods and meeting spaces for every task throughout your day. Instantly check space availability and save your favorite spaces to see when they're free. Book spaces in advance or on the go directly from your phone, and manage your entire workday in one place.



Framery Office Sound Masking System™

The Framery office sound masking system improves the acoustics of the entire workplace. The embedded system is based on patent-pending technology that reduces noise distractions and protects speech privacy in office environments by adding a subtle, unobtrusive background sound outside of the pod. This ambient background noise, similar to air flow, is specifically designed to blend in with the office's noise atmosphere – making sounds less intelligible and therefore less distracting.



Framery Connect™

Make workplace management decisions based on insights from your office's occupancy data. Every connected space provides you with valuable usage data you need to improve the layout and efficiency of your workspace. See which spaces are functioning efficiently, which spaces need attention, and which spaces go unused. With real-time usage data you can provide enough spaces in the right places.



Framery Connect Sensor™

This palm-sized sensor expands the capabilities of Framery Connect – making it possible to collect usage data from any space in your workplace. From meeting rooms to collaborative spaces, the sensor can easily be attached to any space in your office to give you a complete overview of how your office is used. The simple and wireless sensor is equipped with internal 4G connectivity and an external battery boasting a 3-year battery life.

Unparalleled support

Get instant support from a Framery specialist for any issues that may arise with your smart pods or other products.

Always updated

Instantly receive software updates through your smart pod's 4G connection to enable developments and services into the future.

Privacy ensured

No identifiable user data is collected – only workspace occupancy information is tracked.

FRAMERY PLUS – EVERYTHING YOU NEED FOR A SUCCESSFUL WORKPLACE

Unlock all the tools and features your workplace needs to thrive with our subscription based Framery Plus™ – free of charge until the end of 2024.

Framery smart pods / Environmental data sheet

Framery's new smart pods set the standard in sustainability – with durability that is measured in decades, light-weight product structures, use of truly recyclable materials, and modularity that allows the life cycle of the products to be extended indefinitely. Framery participates in the Science Based Targets initiative, and has set emission reduction targets aligned with the goal of limiting global warming to 1.5°C compared to pre-industrial levels. Results of life cycle assessment of Framery products are verified by an independent third party and available in Environmental Product Declarations.



Optimal material use

Framery has achieved a 23% material reduction with its new line of products – which equals over 1 million kg of raw material annually – while increasing their level of performance compared to previous models. This has made it possible for Framery to reduce product prices as well. The carbon footprint in the manufacturing stage of the new products is 16% smaller on average. A change from plywood to steel as the main construction material also allows Framery to continue reducing its environmental impact and strive towards a 50% reduction in product CO₂ emissions by 2028.



Production and waste management

All our pods are manufactured in Tampere, Finland using zero-emission electricity. Our factory logistics are operated on biogas and renewable diesel. The material efficiency rate of our production was 94.9% in 2022. Virtually no waste goes to landfill.



Environmental impact

We have conducted life cycle assessment studies for our products to measure their environmental impacts. Alongside their carbon footprint, we also study other impacts such as resource depletion and water scarcity. The results are verified by an independent third party, and then published and registered as an EPD to provide stakeholders with reliable information on our products' environmental performance in a transparent way.



Product performance

The modular design of our pods facilitates a long product lifetime, and our customers typically use them for many years. The same pod can be used by one customer after another, enabling multiple life cycles and saving valuable resources. Thanks to their modular design, our pods are easy to disassemble, refurbish if needed, and reassemble at a new location. Our products are GREENGUARD Gold certified, and highly maintainable with easily available spare parts.



Extended life cycles

The most effective way for manufacturers to reduce the environmental impact of their products is to extend their life cycle. The durability of the all-steel structures of Framery's new products is measured in decades. Modular product structures allow the pods to be easily serviced and refurbished, extending their life cycles even further. At the end of their life, the products are fully recyclable as a result of eliminating composite and other hard-to-recycle materials.

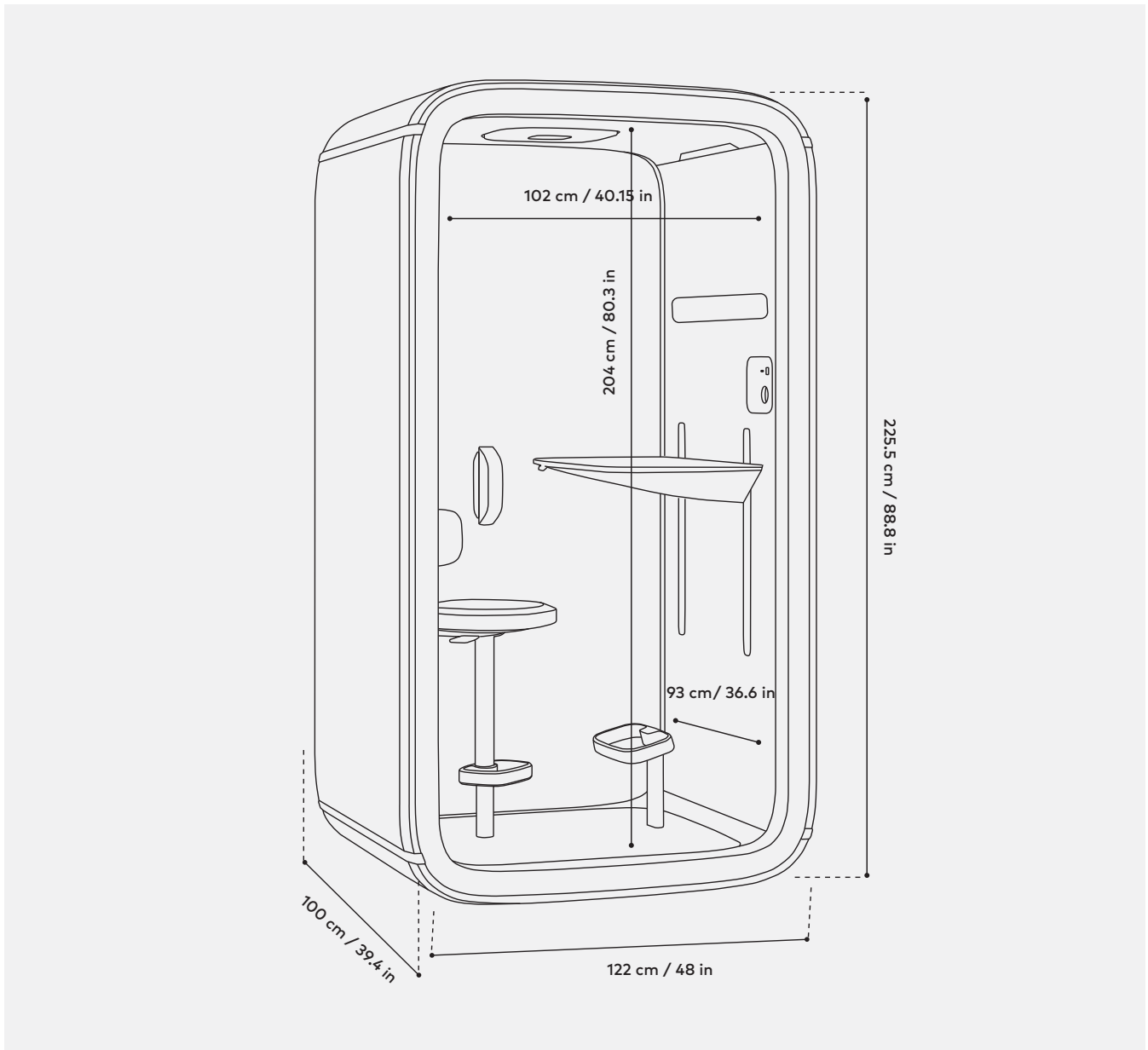


Transportation

Logistical hubs in Singapore and the USA reduces air freight, and allows us to load our shipping containers more tightly. The products are made-to-order, and their modularity helps us achieve this with minimal impact.

Framery One™

Technical specifications



Performance

Speech level reduction: 30dB
Max airflow: 26 l/s
Low energy consumption: 28W

Sustainable design

Built to last for decades
Light-weight product structures
EOL 95% recyclable materials
Refurbishable & movable

Connectivity

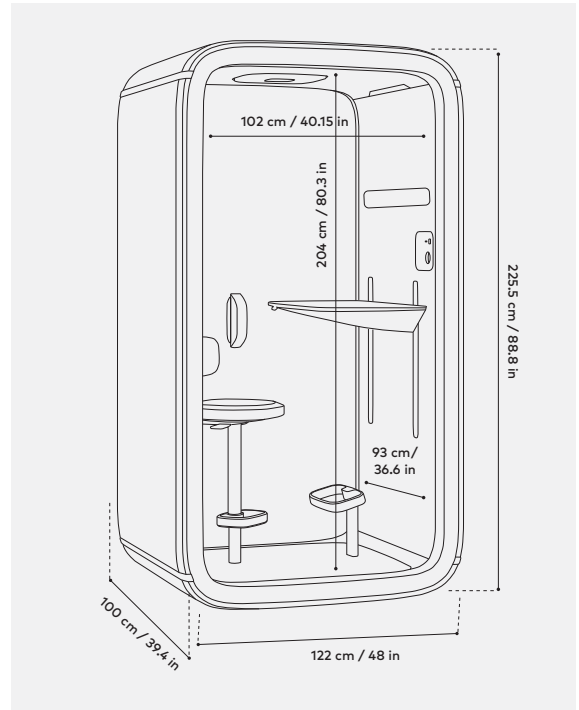
Built-in 4G connection
Automatic software updates
Framery Connect digital services

Framery One / Technical specifications

OVERVIEW

| | |
|--------------------|--|
| Soundproofing | CLASS A 30 DS,A (dB) reduction Speech level reduction DS,A (dB) is measured using ISO 23351-1. Pod can be placed next to workspaces without compromising privacy. |
| Ventilation | DEFAULT AIRFLOW 26 l/s, 55 CFM (94 m³/h). Airflow can be adjusted manually. After use, the pod refreshes itself with a higher ventilation speed. STANDBY MODE 7 l/s, 15 CFM, (25 m³/h) |
| Lighting | CEILING LIGHT Color temperature 4000 K, illuminance up to 500 lux on the tabletop. VIDEO LIGHT Color temperature 4000 K, illuminance up to 400 lux on the user's face. PRE-SET LIGHTING MODES Standard mode & Video call mode. Lighting can also be adjusted manually. |
| Presence detection | SENSOR TECHNOLOGY Time-of-flight sensor |
| Dimensions | EXTERIOR 225.5 × 122 × 100 cm / 88.8 × 48 × 39.4 in (h, w, d) WITH CASTERS Additional 3 cm / 1.18 in (h) WITH AIR FILTER additional 6.5 cm / 2.56 in (h) DOORWAY 204 × 101.5 cm / 80.3 × 40 in (h, w) WEIGHT 357 kg / 787 lb |
| Connectivity | Framery smart pods gather anonymous occupancy data, measuring when and how often spaces are used. Users in the space cannot be identified and no personally identifiable data is collected. The anonymous data is transferred via built-in 4G connectivity, and compiled and shown in the Framery Connect platform |

DIMENSIONS / MAIN VIEW



Framery One is
UL GREENGUARD GOLD
certified



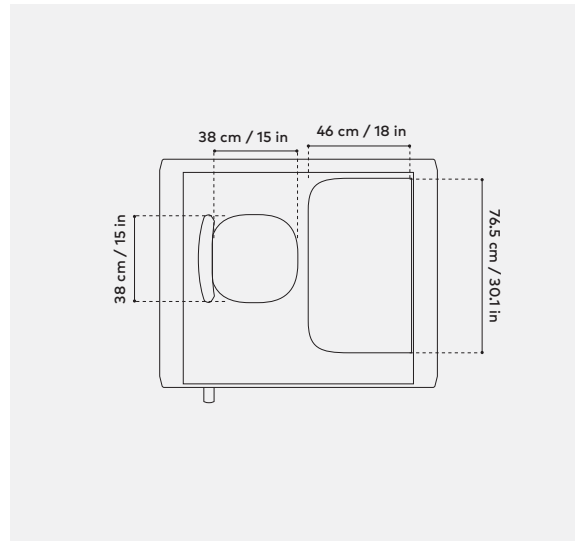
Framery One shipped in North
America is UL 962 listed

Framery One / Technical specifications

MATERIALS

| | |
|----------------------|---|
| Exterior & structure | <p>EXTERIOR PANELS Powder coated matt steel panels</p> <p>FRAMES Structure matt black frames made from steel & aluminum</p> <p>DOOR FRAME Matt black composite structure</p> <p>GLASS Sound control laminated glass (4 + 4 mm / 0.16 + 0.16 in)</p> <p>CHASSIS A sandwich element chassis, made of sheet metal & recycled acoustic foam</p> <p>HANDLE Black cast aluminum</p> |
| Interior materials | <p>INTERIOR PANELS PET sheets which are laminated with recycled polyester fabric</p> <p>UPHOLSTERY FABRIC Gabriel Tonal</p> <p>CARPET Antistatic and stain resistant low loop pile carpet</p> <p>TABLE Table top is birch plywood laminated with white, black anti-fingerprint, or oak veneer. The table bottom is black thermoformed felt.</p> |
| Seating materials | <p>UPHOLSTERY FABRIC Gabriel Select</p> <p>FABRIC COMPOSITION 85 % New Zealand wool / 15 % Polyamide</p> <p>STOOL & FOOTREST Steel, aluminum & plastic</p> |
| Furniture dimensions | <p>TABLE SIZE 76.5 x 46 cm / 30.1 x 18 in (w, d)</p> <p>TABLE HEIGHT 74–116 cm / 29.1–45.7 in</p> <p>MAX LOAD FOR THE TABLE 50 kg / 110 lb</p> <p>SEAT SIZE 38 x 38 cm / 15 x 15 in (w, d)</p> <p>SEAT HEIGHT 59–85 cm / 23.2–33.5 in</p> <p>MAX LOAD FOR THE SEAT 135 kg / 300 lb</p> |

DIMENSIONS / TOP VIEW



SAFETY

| | |
|----------------|---|
| Fire safety | No fire hazardous materials are used in Framery pods. The fire safety of all surface materials, upholstery and acoustics materials of our products are tested and classified by either national or international standards. Framery provides additional safety measurements to adhere to local regulatory requirements. |
| Seismic safety | A seismic anchoring kit for a pod is available for the seismic regions. The kit consists of brackets that further reinforce the pod structure to withstand heavy seismic forces. |

Framery One / Technical specifications

POWER AND SPACE REQUIREMENTS

Power **OUTLETS** 1 × power outlet, 1 × USB-C charge port (15W)
Optional: 1 × LAN port (with cable)

POWER CONSUMPTION

Default settings 28W. Highest settings 37W.
Standby mode 6W.

INPUT 100–240 VAC, 10 A, 50–60 Hz

OUTPUT AC (POWER OUTLET)

100–240VAC, 6.6A, 50–60 Hz

OUTPUT USB-C CHARGE PORT 15W

Space requirements **DOOR OPENING RATIO** 90°

Door handedness Right-handed by default
(can also be installed left-handed)

Operating space From back to front (pod depth + doorway):
201.5 cm / 79.4 in. Room height requirement:
240 cm / 94.5 in. For seismic anchoring or
sprinklers leave 50 cm / 19.7 in of free space
around the sides of the pod. The pod can be
anchored to the wall with optional casters

Installation space Installation requires 50 cm / 19.7 in of free
space around the pod

Movability Relocate the pod without the need for
disassembly by adding casters (optional).
Levelling guides must be lifted when moving
the pod, and lowered when placed in position

SHIPPING CRATE

Dimensions 229 × 131 × 88 cm / 90.15 × 51.6 × 34.6 in

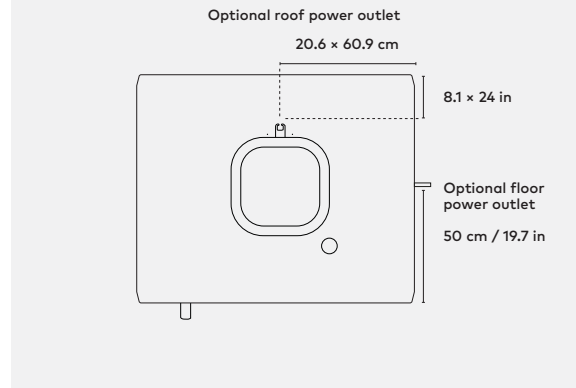
Weight 430 kg / 948 lb
Crates can be stacked (max 3 boxes)

DIMENSIONS / POWER CORD SPECIFICATIONS

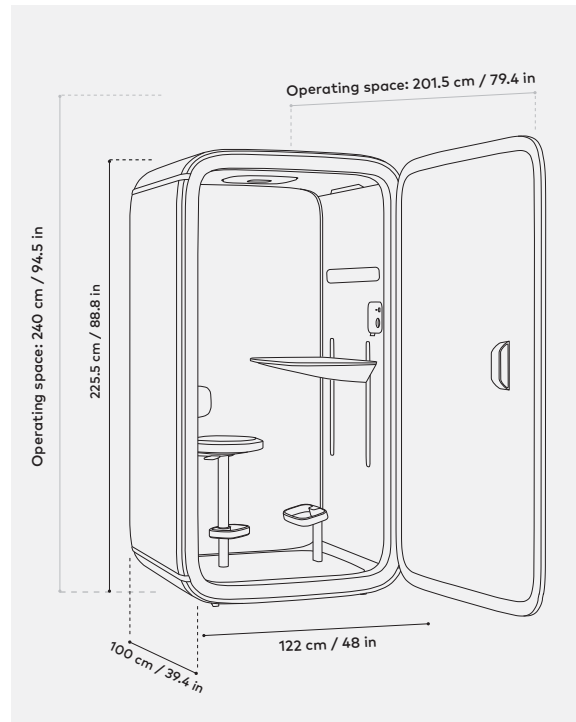
Total power cord
length: 5 m / 16 ft

Installed from the
roof: 4.5 m / 14 ft

Installed from the
base: 3 m / 9 ft



DIMENSIONS / OPERATING SPACE



For the doers,
leaders, thinkers,
dreamers, creators,
teams, pioneers
and innovators.
**For people who
get it done.**



Witteveen Projectinrichting
Ouderkerk a/d Amstel
Tel: 020 - 496 5030
info@witteveen.nl
www.telefooncel.info
www.project-inrichting.nl